

# ZERO<sub>2</sub>

Profitably Capture 100% of the Gas Production Stream

Our reliable, patented technology is an environmentally safe deoxo solution for eliminating oxygen from biogas streams, including dairy and swine farms as well as Landfill Gas (LFG) operations.

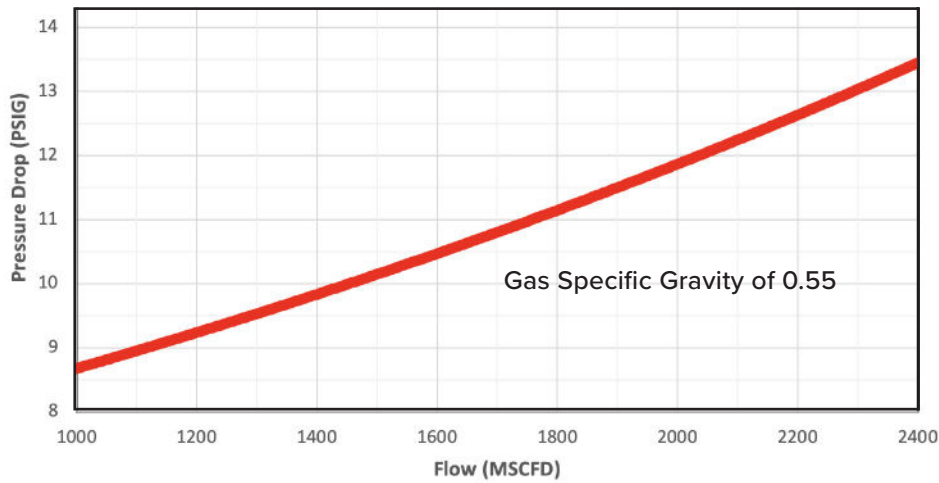
- Remove oxygen to meet the most stringent pipeline specifications
- Generate incremental revenue by upgrading biogas or LFG to valuable RNG
- No moving parts for high reliability
- Simplifies operations, with less maintenance than competing solutions and more production uptime
- Easy and quick to scale up, or down, as your biogas volumes change



## ZerO<sub>2</sub> E2000 Specifications

Flow Capacity . . . . .	1,390 SCFM
Turndown. . . . .	2 : 1
System MAWP . . . . .	275 PSIG at 800F
Relief Pressure . . . . .	275 PSIG
Typical Pressure Drop . . . . .	12 PSIG
Max O <sub>2</sub> at Inlet . . . . .	15,000 - 17,500 ppm (RNG), 35,000 - 50,000 ppm (O&G)
Typical O <sub>2</sub> at Outlet . . . . .	0-5 ppm
Max H <sub>2</sub> S at Inlet . . . . .	2 ppm
Power Draw (Startup). . . . .	150 kW
Power Draw (Nominal). . . . .	100 - 115 kW (RNG) 85 - 90 kW (O&G)
Skid Hazard Classification . . .	C1D2 (excl. 480 VAC Power Panel)
Power Requirements . . . . .	480/3/60, 180.3 A
480V Power Panel. . . . .	remote-mounted, not rated for hazloc
Inlet/Outlet. . . . .	3" 300# RFF
Dimensions . . . . .	72" x 72" x 142" (L x W x H)
Approximate Weight (Empty)	5,500 lbs

**ZerO<sub>2</sub> E2000 Pressure Drop at 100 PSIG Discharge Pressure**



\*Contact EcoVapor Engineering for ZerO<sub>2</sub> E2000 pressure drop at different discharge pressures.

**Corporate Office**

1422 Delgany St. Suite 100  
Denver, CO 80202

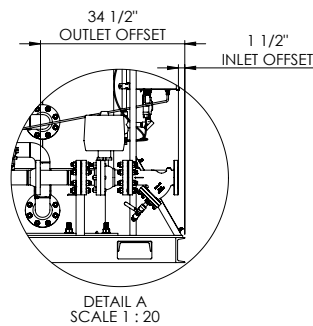
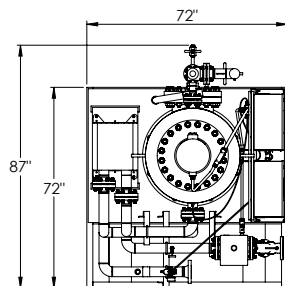
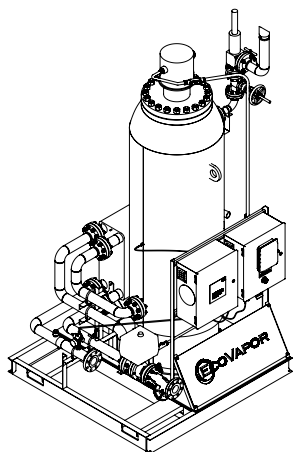
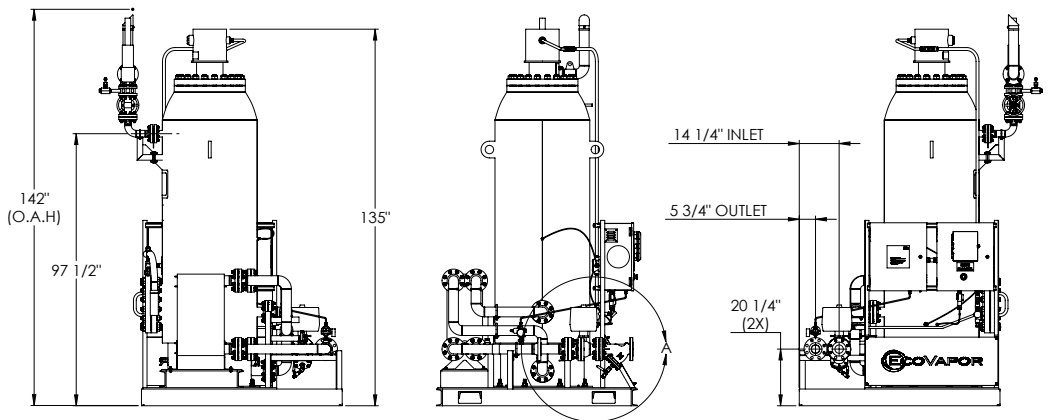
**Field Offices**

1804 Cherry Ave.  
Greeley, CO 80631

915 Goode St.  
Midland, TX 79701

5072 Owan Industrial Park Dr.  
Williston, ND 58801

3200 US HWY 40  
Roosevelt, UT 84066



info@EcoVaporRS.com

1-844-No-Flare  
(844.663.5273)