



Capture the RNG Opportunity

Our reliable, patented technology is an environmentally safe deoxo solution for eliminating oxygen from biogas streams, including dairy and swine farms as well as Landfill Gas (LFG) operations.

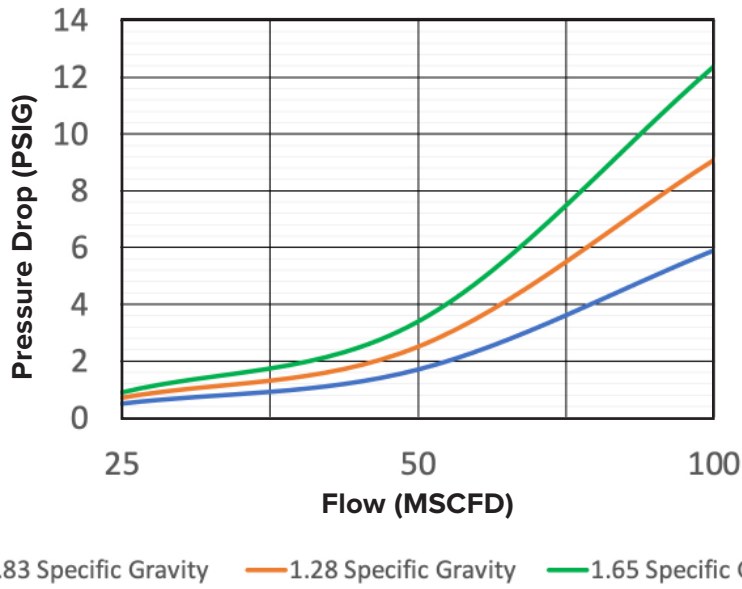
- Remove oxygen to meet the most stringent pipeline specifications
- Generate incremental revenue by upgrading biogas or LFG to valuable RNG
- No moving parts for high reliability
- Simplifies operations, with less maintenance than competing solutions and more production uptime
- Easy and quick to scale up, or down, as your biogas volumes change



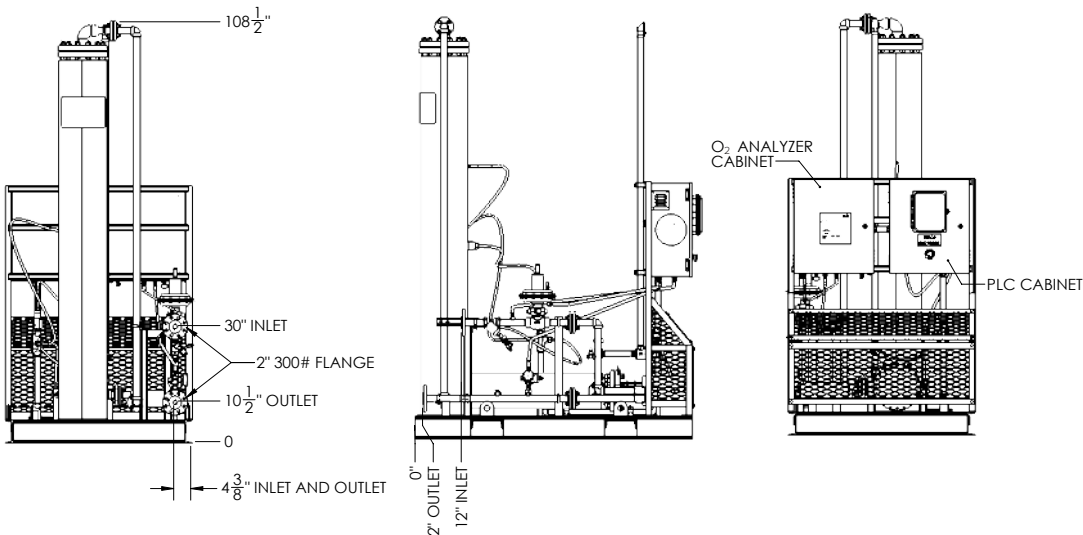
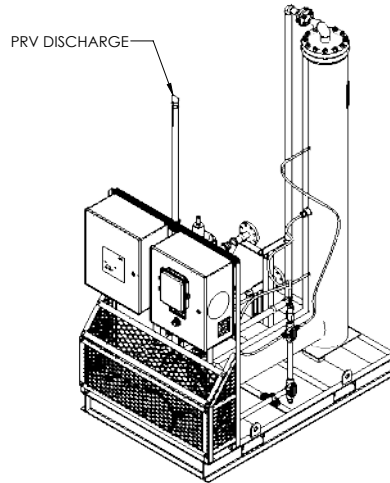
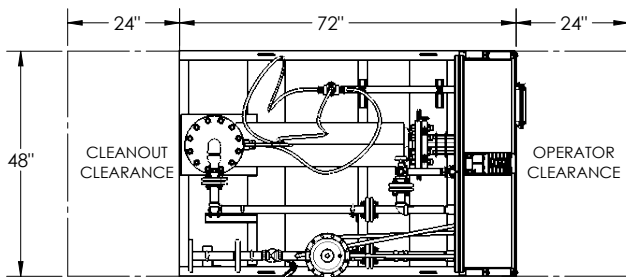
ZerO₂ E100 Specifications

Flow Capacity	70 scfm
Turndown.	10 : 1
Standard System MAWP.	80 PSIG at 800F
System MAWP w/ High Pressure Package	250 PSIG at 800F
Typical Pressure Drop.	10 PSIG
Max O ₂ at Inlet	35,000 ppm, 50,000 ppm intermittent
Typical O ₂ at Outlet	0-5 ppm
Max H ₂ S at Inlet	2 ppm
Power Draw (Startup).	12 kW, 15A
Power Draw (Nominal).	8 kW, 9.6A
Skid Hazard Classification	C1D2 (excl. control panel)
Power Requirements.	3/60/480VAC, 15A
480V Power Panel.	remote-mounted, not rated for hazloc
Inlet/Outlet.	2" ANSI 300# RFF
Dimensions	4' w, 6' d, 9' h
Weight	Approximately 1,450 lbs
Reactor Maintenance	Annually

ZerO2 E100 Pressure Drop at 50 PSIG Discharge Pressure



*Contact EcoVapor Engineering for ZerO₂ E100 pressure drop at different discharge pressures.



Corporate Office

1442 Delgany St. Suite 100
Denver, CO 80202

Field Offices

1804 Cherry Ave.
Greeley, CO 80631

915 Goode St.
Midland, TX 79701

info@EcoVaporRS.com

1-844-No-Flare
(844.663.5273)