

MOBILE ZERO

Portable Oxygen Removal and Emissions Control Solution

Temporary Gas Treating Capacity for Routine Oilfield Operations

EcoVapor's MobileZero™ is a mobile gas treatment solution for oxygen removal, which can help eliminate oxygen-related flaring, fugitive emissions and make meeting air permits significantly easier during:

- Tank cleaning
- Gas treatment during flowback
- Well testing



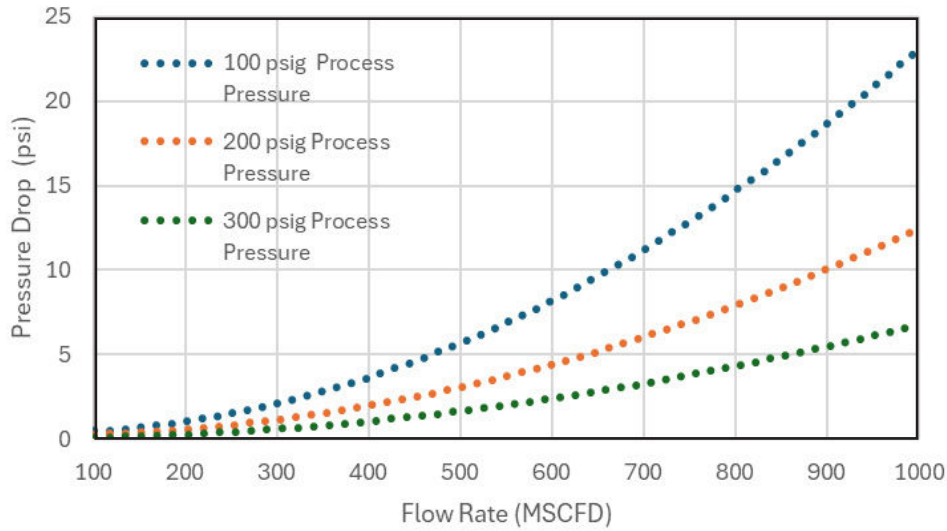
MobileZero units can be equipped with the following options:

- H₂S removal
- larger-scale oxygen removal

MobileZero Specifications

Flow Capacity:	100 - 1,000 MSCFD
Turndown:	4 : 1
Design Pressure:	330 PSIG
Typical Pressure Drop:	4 - 10 PSIG
Max O ₂ at Inlet:	35,000 ppm, 50,000 ppm intermittent
Typical O ₂ at Outlet:	0-5 ppm
Max H ₂ S at Inlet:	2 ppm
Power Draw (Startup):	90 kW
Power Draw (Nominal):	30 kW
Operating Pressure:	50 - 300 PSIG
Skid Hazard Classification: . .	C1D2 (excl. control panel)
Power Requirements:	480VAC / 3PH / 60Hz / 108FLA
480V Power Panel:	Remote-mounted, not rated for hazloc
Inlet/Sales/Divert/Drain: . . .	2" ANSI 300# RFF
Dimensions:	8.5' w, 22' d, 12.5' h
Weight:	13,500 lbs.
Reactor Maintenance	Annually

MobileZero Typical Pressure Drop as a Function of Flow Rate



Corporate Office

1422 Delgany St. Suite 100
Denver, CO 80202

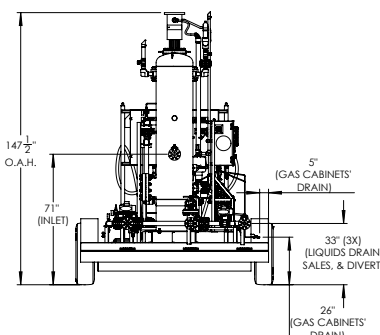
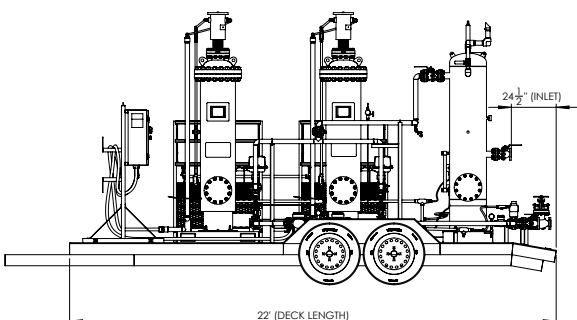
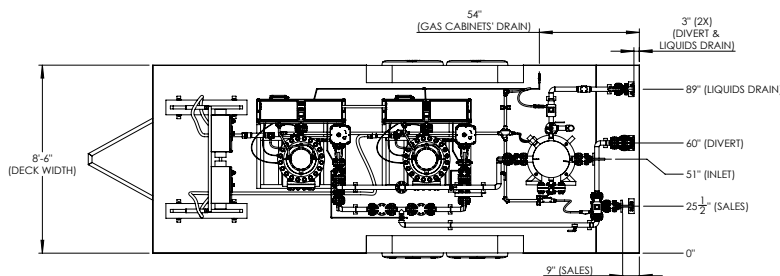
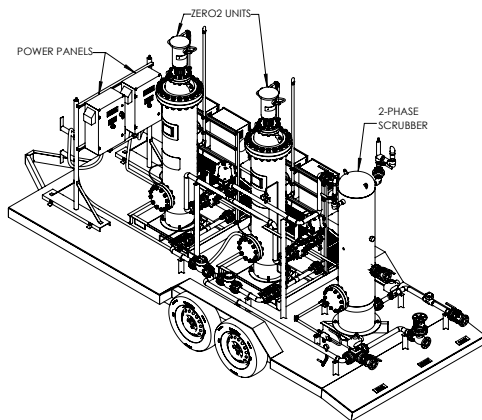
Field Offices

1804 Cherry Ave.
Greeley, CO 80631

915 Goode St.
Midland, TX 79701

5072 Owan Industrial Park Dr.
Williston, ND 58801

3200 US HWY 40
Roosevelt, UT 84066



info@EcoVaporRS.com

1-844-No-Flare
(844.663.5273)