



EMISSIONS SCOUT - SITE ASSESSMENT

Evaluate Your Site's Flaring

**If you don't measure it,
you can't manage it.**

EcoVapor's Emissions Scout™ is the solution to fully understanding the emissions profile of your tank batteries. It quantifies actual volumes and sources of emissions.

About the Site Assessment:

- Easily assess flared volumes, tank pressure, and oxygen levels associated with storage tank vapor
- Fast installation, solar powered, no power connections required
- 24-hour remote system monitoring

Specifications

Dimensions 58" w, 53" d, 104" h

Approximate Weight: 2,100 lbs

Skid Hazard Classification: C1D2

Thermal Mass Meter Included:

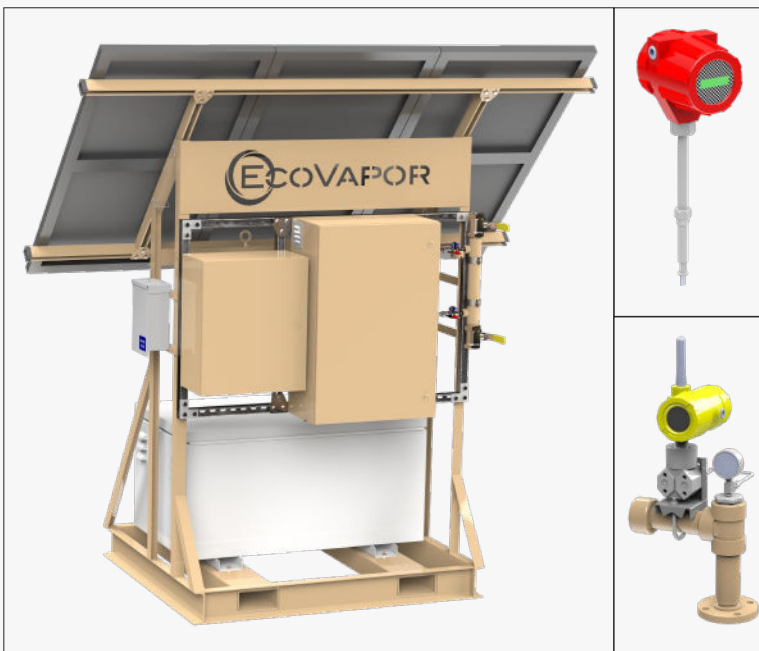
- 1" threadolet required on-site for mounting
- Suitable for pipe sizes 2" to 6"
- Gas Temperature Ranges: -40°F to 140°F
- Class I, Div I, Groups B,C,D

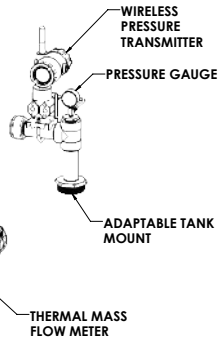
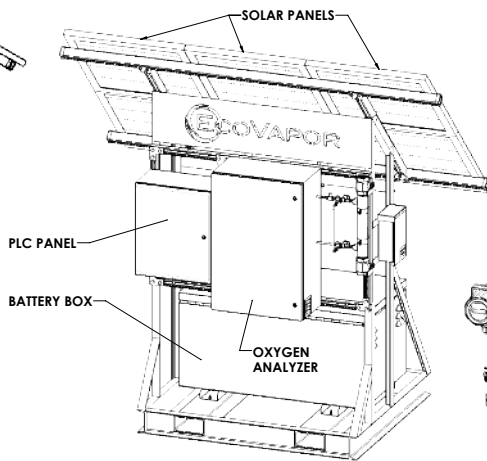
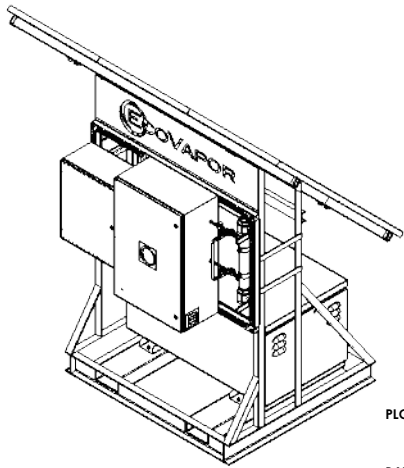
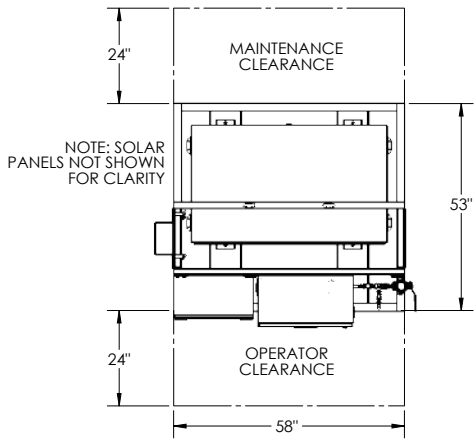
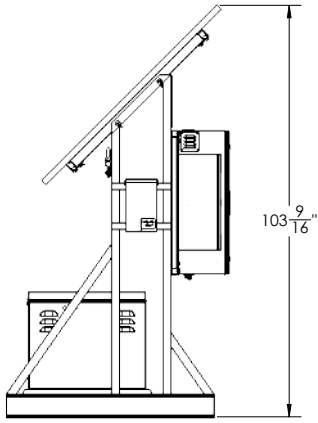
Pressure Transmitter Included:

- Placement on tanks custom per site, provided by EcoVapor
- Wireless, 900 MHz Frequency
- Class I, Div 1, Groups A, B, C & D, T3

Oxygen Analyzer:

- Measure trace amounts of oxygen down to 1 ppm
- Class 1, Div 2, Groups, C, D
- Pump included to sample vapor pressures < 1 psi





EcoVapor Main Office

1422 Delgany St. Suite 100

Denver, CO 80202

Field Offices

1804 Cherry Ave.

Greeley, CO 80631

915 Goode St.

Midland, TX 79701

5072 Owan Industrial Park Dr.

Williston, ND 58801



Corporate Office

7402 N Eldridge Pkwy.

Houston, TX 77041

info@EcoVaporRS.com

1-844-No-Flare

(844.663.5273)

Site Layout

