



# ZERO<sub>2</sub>

## Profitably Capture 100% of the Gas Production Stream

Removes oxygen from any gas production stream to avoid costly shut-ins and increase the economic value of tank vapor.

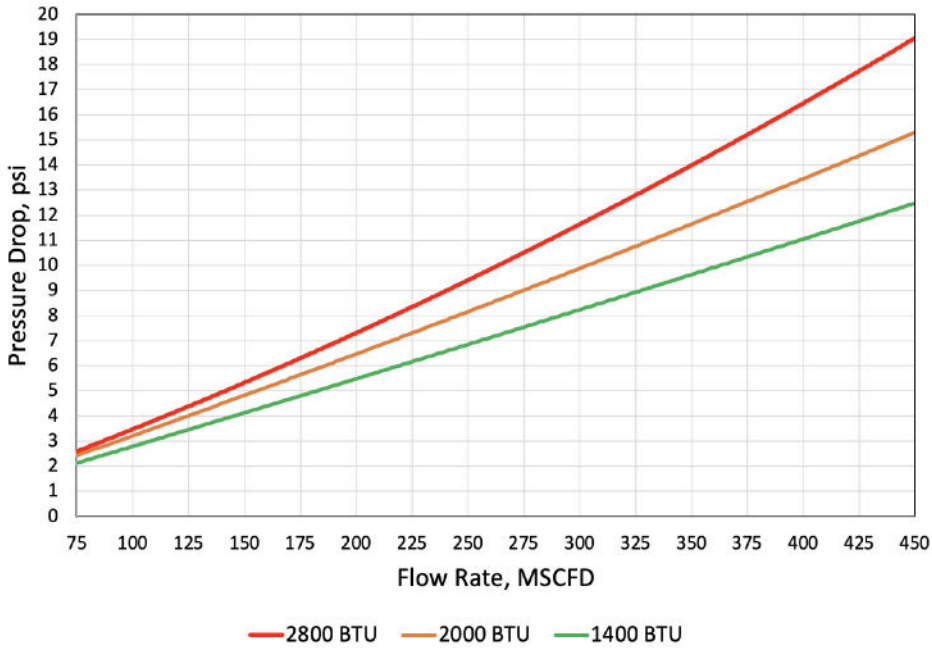
- Increased cash flow from higher recovery
- Allows the potential for zero emission sites
- Avoid shut-ins of gas sales
- Over 2.5 million hours of uptime performance
- 24-hour remote monitoring
- Over 300 installations in all major basins
- No moving parts
- 99%+ reliability across EcoVapor rental fleet

## ZerO<sub>2</sub> E300 Specifications

Flow Capacity: . . . . .	300 MSCFD
Turndown: . . . . .	4 : 1
Standard System MAWP: . . . . .	330 PSIG at 800F
System MAWP w/ High Pressure Package: . . . . .	410 PSIG at 800F
Relief Pressure: . . . . .	330 PSIG
Typical Pressure Drop: . . . . .	10 PSIG
Max O <sub>2</sub> at Inlet: . . . . .	35,000 ppm, 50,000 ppm intermittent
Typical O <sub>2</sub> at Outlet: . . . . .	0-5 ppm
Max H <sub>2</sub> S at Inlet: . . . . .	2 ppm
Power Draw (Startup): . . . . .	45 kW
Power Draw (Nominal): . . . . .	15 kW
Skid Hazard Classification: . . . . .	C1D2 (excl. control panel)
Power Requirements . . . . .	3/60/480VAC, 60A
480V Power Panel . . . . .	remote-mounted, not rated for hazloc
Inlet/Outlet . . . . .	2" ANSI 300# RFF
Dimensions . . . . .	4' w, 4' d, 10' h
Reactor Maintenance . . . . .	Annually



# ZerO<sub>2</sub> E300 Pressure Drop as a Function of Flow Rate



\*Contact EcoVapor Engineering for ZerO<sub>2</sub> E300 pressure drop at different discharge pressures.



## Corporate Office

1422 Delgany St. Suite 100  
Denver, CO 80202

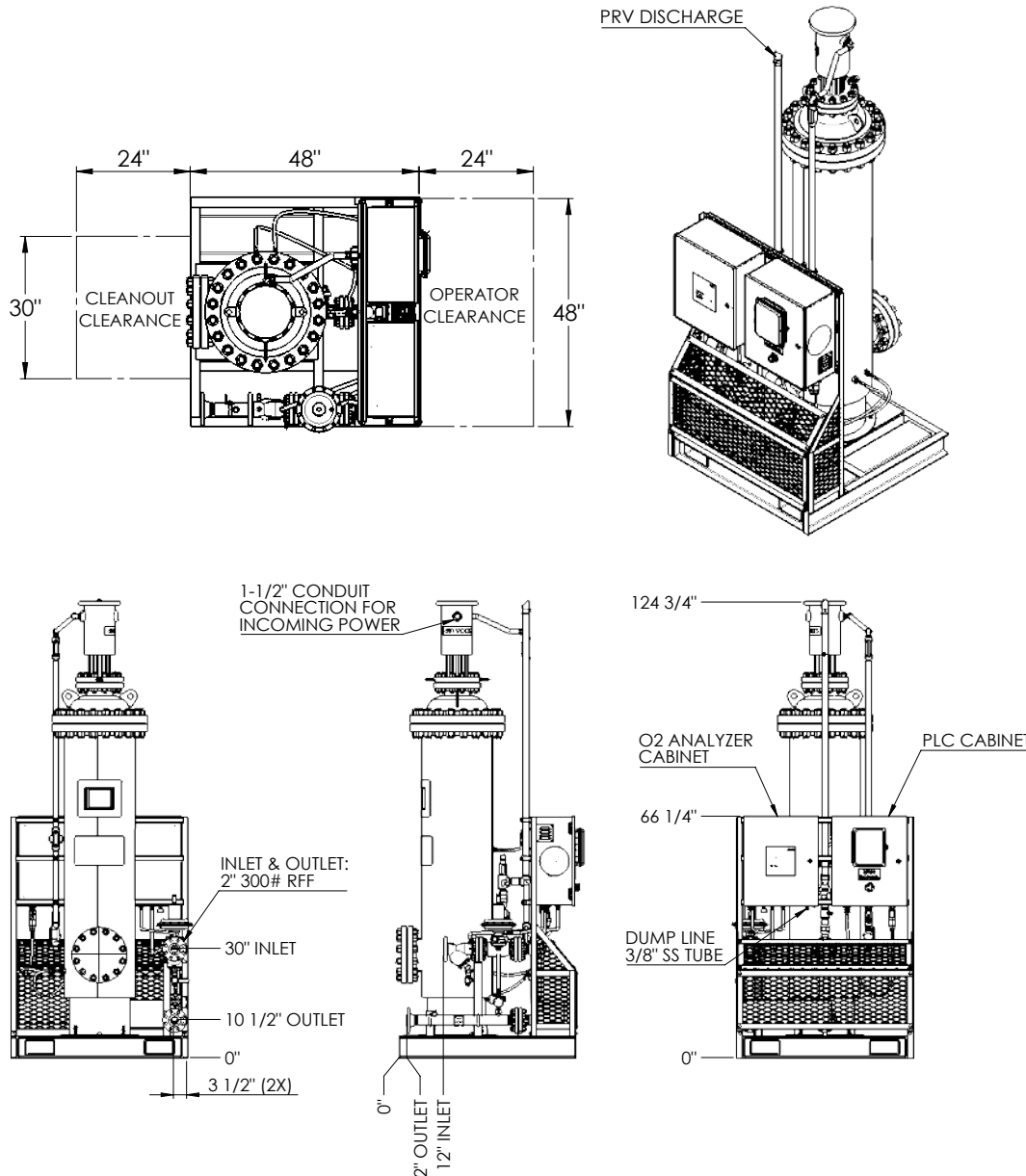
## Field Offices

1804 Cherry Ave.  
Greeley, CO 80631

915 Goode St.  
Midland, TX 79701

5072 Owan Industrial Park Dr.  
Williston, ND 58801

3200 US HWY 40  
Roosevelt, UT 84066



info@EcoVaporRS.com

1-844-No-Flare  
(844.663.5273)