



# Capture the RNG Opportunity

**Our reliable, patented technology is an environmentally safe deoxo solution for eliminating oxygen from biogas streams, including dairy and swine farms as well as Landfill Gas (LFG) operations.**

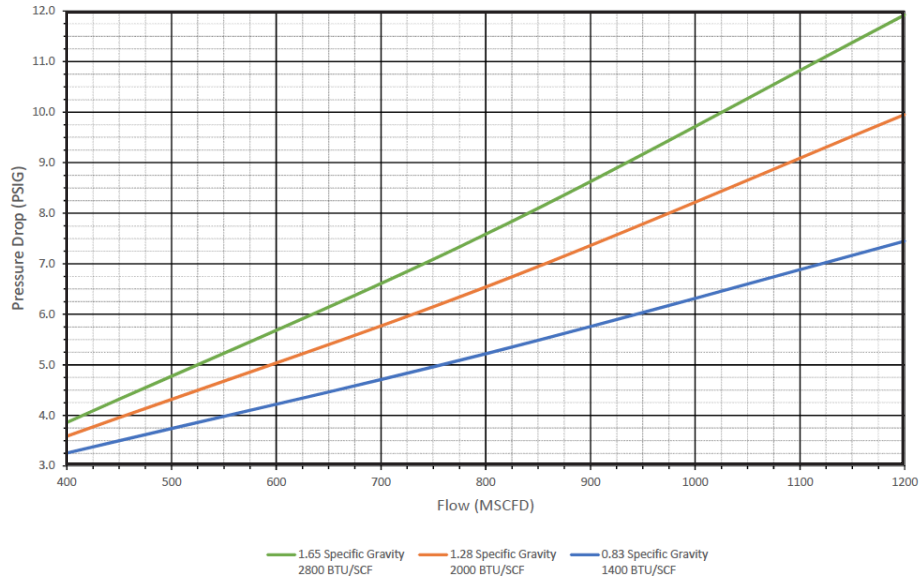
- Remove oxygen to meet the most stringent pipeline specifications
- Generate incremental revenue by upgrading biogas or LFG to valuable RNG
- No moving parts for high reliability
- Simplifies operations, with less maintenance than competing solutions and more production uptime
- Easy and quick to scale up, or down, as your biogas volumes change



## Zero<sub>2</sub> E1200 Specifications

Flow Capacity . . . . .	835 scfm
Turndown. . . . .	4 : 1
System MAWP . . . . .	330 PSIG at 800F
Relief Pressure . . . . .	330 PSIG
Typical Pressure Drop . . . . .	10 PSIG
Max O <sub>2</sub> at Inlet . . . . .	35,000 ppm, 50,000 ppm intermittent
Typical O <sub>2</sub> at Outlet . . . . .	0-5 ppm
Max H <sub>2</sub> S at Inlet . . . . .	2 ppm
Power Draw (Startup). . . . .	150 kW
Power Draw (Nominal). . . . .	50 kW
Skid Hazard Classification . . . . .	CID2 (excl. control panel)
Power Requirements . . . . .	3/60/480 VAC, 180A
480V Power Panel. . . . .	remote-mounted, not rated for hazloc
Inlet/Outlet. . . . .	2" ANSI 300# RFF
Dimensions . . . . .	69" x 53" x 132"
Reactor Maintenance . . . . .	Annually

## ZerO2 E1200 Pressure Drop at 150 PSIG Discharge Pressure



\*Contact EcoVapor Engineering for ZerO<sub>2</sub> E1200 pressure drop at different discharge pressures.



### Corporate Office

1442 Delgany St. Suite 100

Denver, CO 80202

### Field Offices

1804 Cherry Ave.

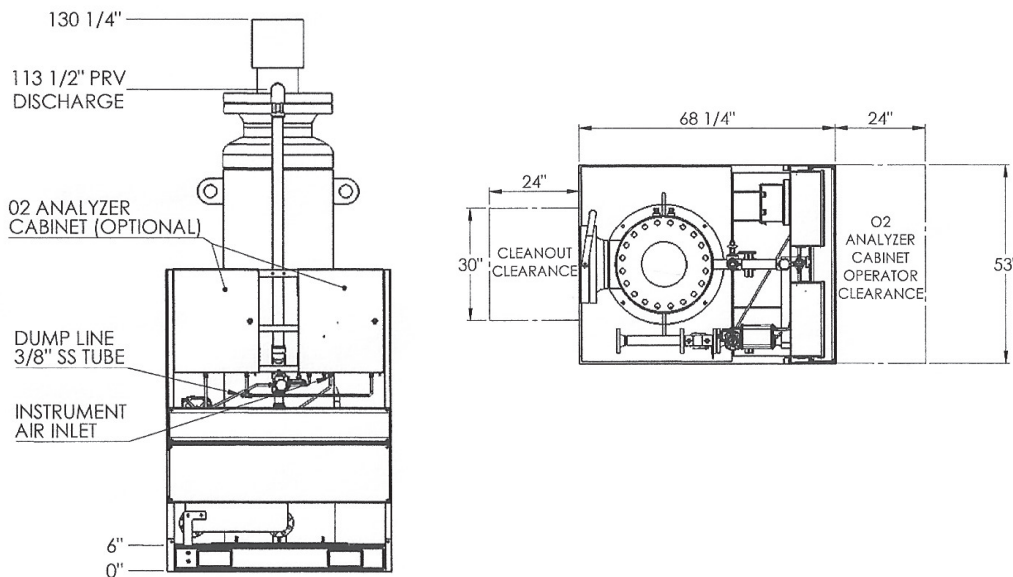
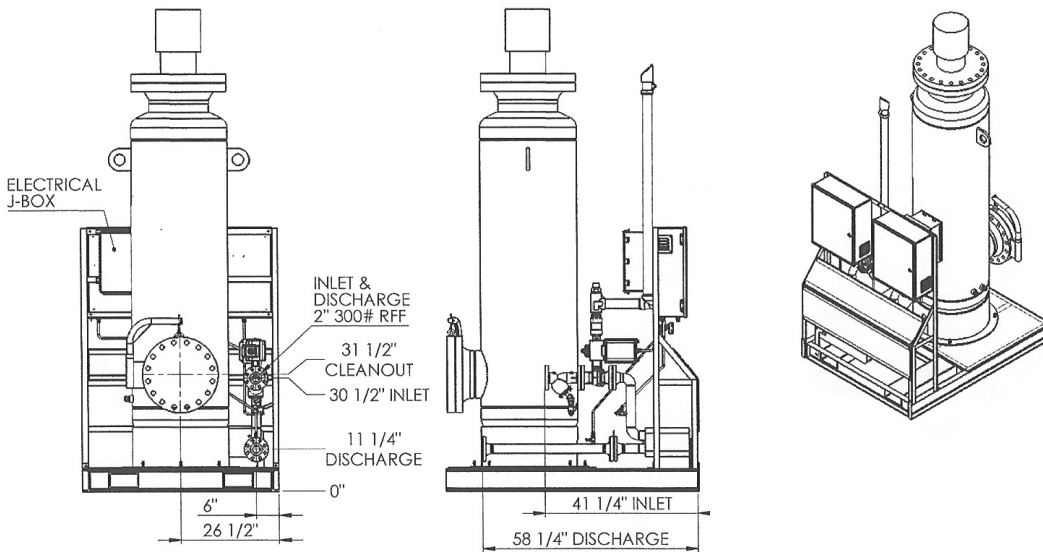
Greeley, CO 80631

915 Goode St.

Midland, TX 79701

5072 Owan Industrial Park Dr.

Williston, ND 58801



info@EcoVaporRS.com

1-844-No-Flare

(844.663.5273)